

# ROLL FEED EV TK

Models: EV 12 TK | EV 22 TK



## FAST

- Highly dynamic torque servo motor up to 350 m/min
- Very fast pilot release for productions up to more than 2000 strokes/min
- Powerful and versatile control

## PRECISE FEEDING

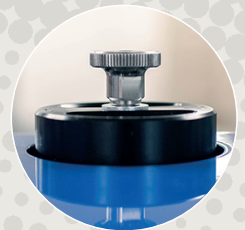
- Gearless direct drive for extremely accurate transmission of torques
- Synchronous drive of the rollers via torsion-free power coupling
- Precision mechanics and high-tech materials for highest accuracy

## VERSATILE

- Various roll surfaces, mech./motorized mounting brackets
- Push or pulling mode, double/triple systems
- Integrate, retrofit or synchronize with any press

## SAFE OPERATION

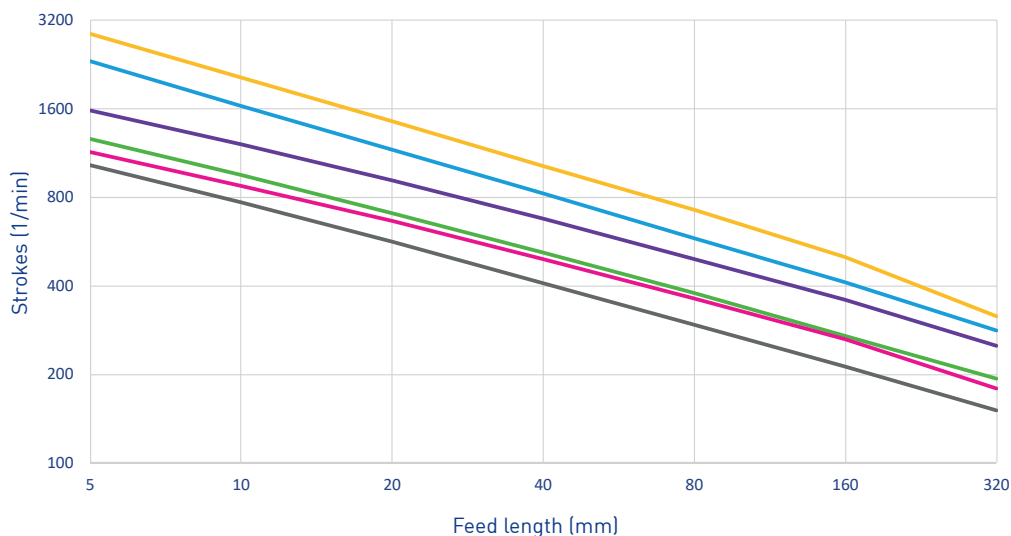
- Meets the highest safety standards including safety speed
- Precision sensor on the opposite side of the motor
- Electric safety brake



# ROLL FEED EV TK



PERFORMANCE

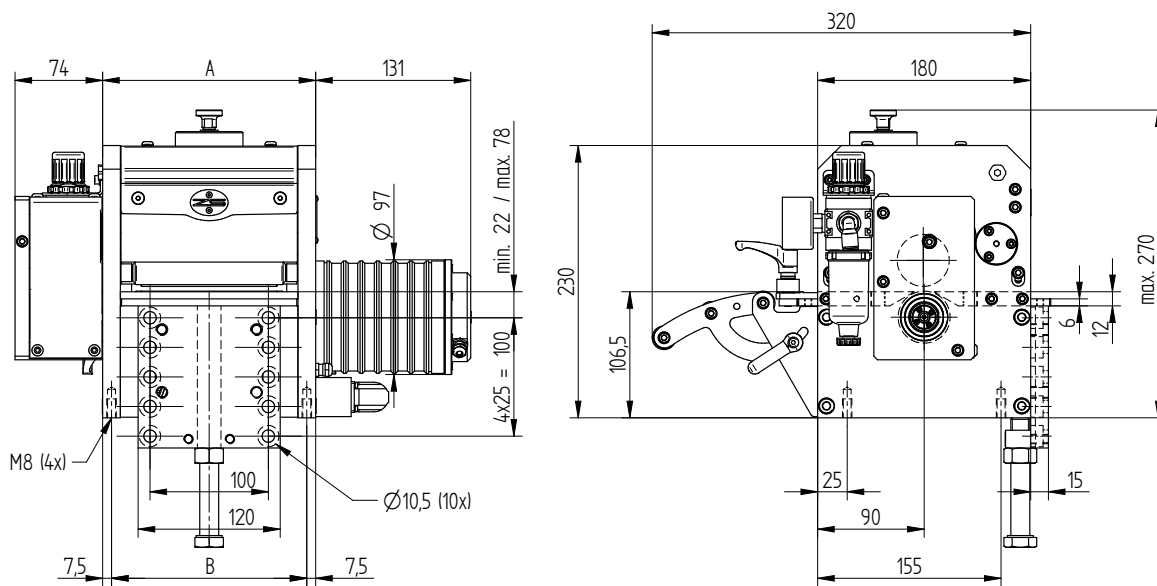


Performance curves (examples)\*

Loop weight	Feed angle	Cooling
0 kg	180°	WC
0 kg	180°	AC
2 kg	120°	AC
2 kg	180°	AC
5 kg	180°	WC
5 kg	180°	AC

\*Calculation basis: EV 12 TK4  
Motor / Control / Cooling  
TF 89-86 / FD12,CX62 / air  
TF 89-86 / FD15,CX100 / water

TECHNICAL SPECIFICATIONS



MODEL	EV	12 TK	22 TK
Upper roll width (mm)		115	215
Lower roll width (mm)		140	240
Feed troughput width (mm)		150	250
Infeed guide width (mm)		130	230
Feed unit support width A (mm)		180	280
Fixture distance B (mm)		165	265
Overall width		376	476
Band thickness		max. 5 mm	
Roll diameter		44 mm	
Position accuracy		+/- 0.02 mm	
Speed max.* (nominal)		350 m/min	
Traction max.* (air/water cooling)		220 N / 350 N	
Cross section (recommended)		max. 250 mm <sup>2</sup>	
Pilot release (strokes/min)		30°:1400 / 50°:2200	

\*Depending on motor, control and supply.  
Ask for a specific configuration and calculation.

## SWITZERLAND

Zehnder & Sommer AG  
CH-3400 Burgdorf  
info@zehndersommer.com  
Tel +41 31 800 00 00

## GERMANY

Zehnder & Sommer GmbH  
DE-58452 Witten  
info@zehndersommer.de  
Tel +49 2302 981 60 30

zehndersommer.com  
ZSswiss.com