



PRECISION ROLL FEED EV TM4

Models: EV 112 TM4 | EV 122 TM4 | EV 132 TM4



FAST

- Dynamic torque servo motor up to 220 m/min, 690 N
- Very fast pilot release for productions up to 1500 strokes/min
- Powerful and versatile control

PRECISE

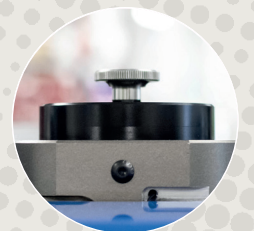
- Gearless direct drive for accurate transmission of torques
- Synchronous drive of the rolls via precision parallel-coupling
- Precision mechanics and high-tech materials for highest accuracy

VERSATILE

- Various roller surfaces, mech./motorized mounting brackets
- Push or pulling mode; double/triple systems
- Integrate, retrofit or synchronize with any press

SAFE

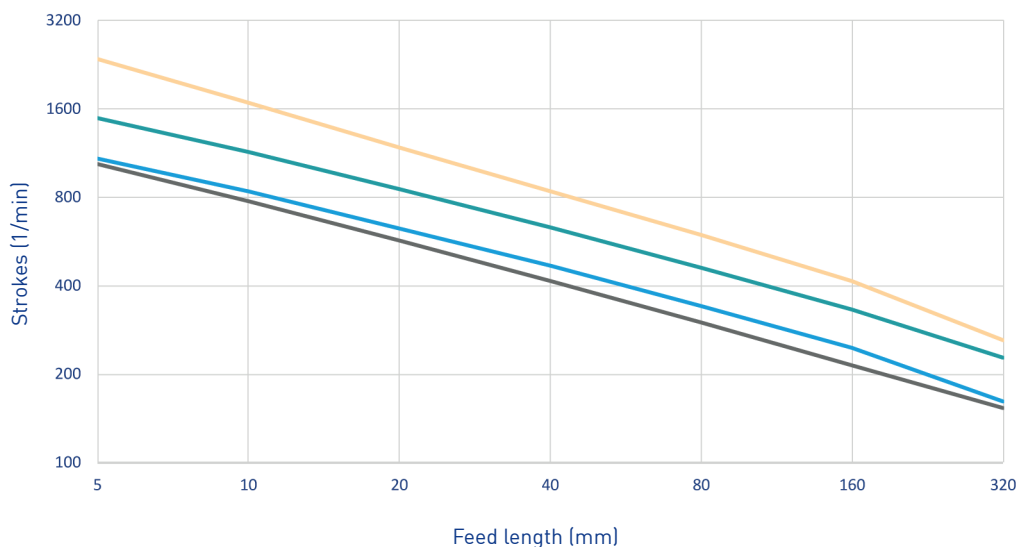
- Meets the highest safety standards including safety speed
- Precision sensor on the opposite side of the motor
- Electric safety brake



PRECISION ROLL FEED EV TM4



PERFORMANCE



Performance curves (examples)*

Loop weight / Feed angle / Motor / Cooling

0 kg / 180° / TF50 / AC

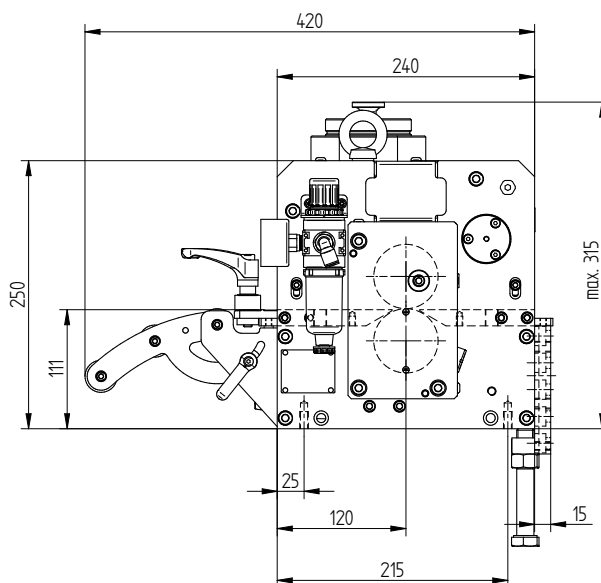
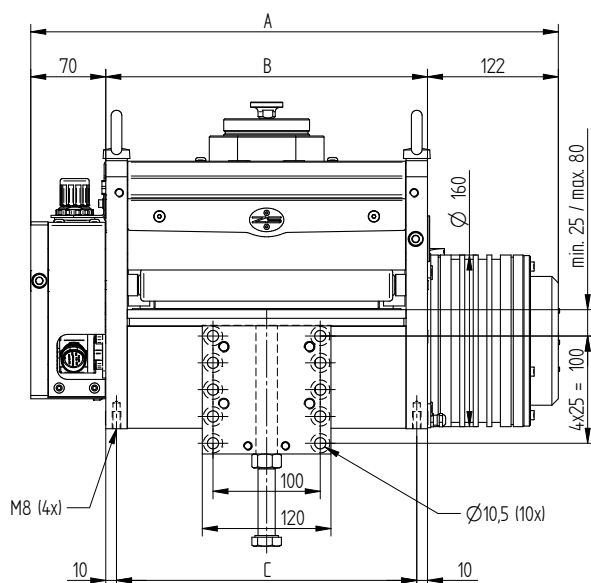
2 kg / 120° / TF50 / AC

2 kg / 180° / TF50 / AC

10 kg / 180° / TF50 / AC

*Calculation basis: EV 122 TM
Motor / Control
TF50: TMF 140-050/FD15,CX150

TECHNICAL SPECIFICATIONS



MODEL	EV	112 TM4	122 TM4	132 TM4
Infeed guide width (mm)		140	240	340
Upper roll width (mm)		108	208	308
Lower roll width (mm)		150	250	350
Overall width A (mm)		397	497	597
Feed unit support width B (mm)		200	300	400
Fixture distance C (mm)		180	280	380
Band thickness		max. 5.5 mm		
Roll diameter		60 mm		
Position accuracy		+/- 0.02 mm		
Speed max.*		220 m/min		
Pilot release Colibri HS (stroke/min)		30°:1000/50°:1600		
Traction max.* (air/water cooling)		480 N / 690 N		
Cross section (recommended)		max. 600 mm ²		

*Depending on motor, control and supply.
Ask for a specific configuration and calculation.

SWITZERLAND

Zehnder & Sommer AG
CH-3400 Burgdorf
info@zehndersommer.com
Tel +41 31 800 00 00

GERMANY

Zehnder & Sommer GmbH
DE-58452 Witten
info@zehndersommer.de
Tel +49 2302 981 60 30

zehndersommer.com
ZSswiss.com