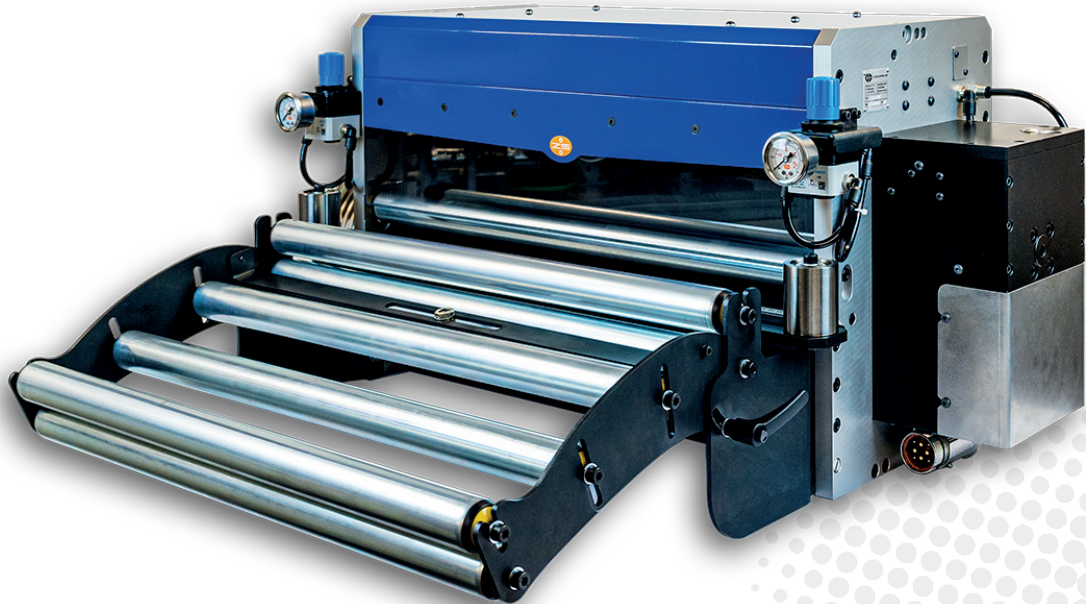


Large Torque-Servo Roll Feed for Thin Sheets

PERFORMANCE EV XF TQ

Models: EV XF 480 TQ | EV XF 640 TQ | EV XF 1000 TQ | EV XF 1600 TQ



FAST & PRECISE

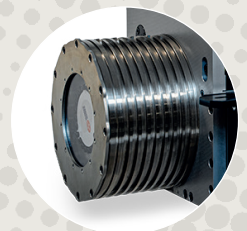
- Highly dynamic Torque servo motors up to 380 m/min, 4800 N
- Precision material guide through lateral adjustable contact pressure
- Gearless direct drive for accurate transmission of torques
- Synchronous drive of both rolls via precision parallel-coupling
- Precision mechanics and high-tech materials for highest accuracy

VERSATILE

- Optional roll coating: steel, rubber, plastic
- Powerful and versatile controls; double systems; push/pull
- Threading assistance (material insertion without operating the control)
- Pull-out inlet plate for practical maintenance and roll cleaning

SAFE

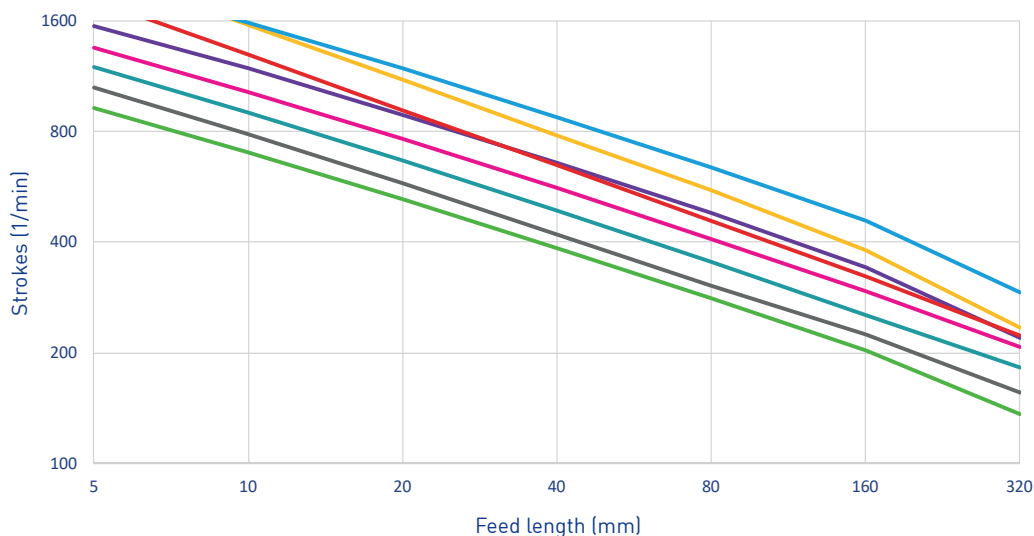
- Meets the highest safety standards including safe limited speed (SLS)
- Precision encoder on the opposite side of the motor
- Pneumatic safety material holder (optional)



ROLL FEED PERFORMANCE EV XF TQ



PERFORMANCE

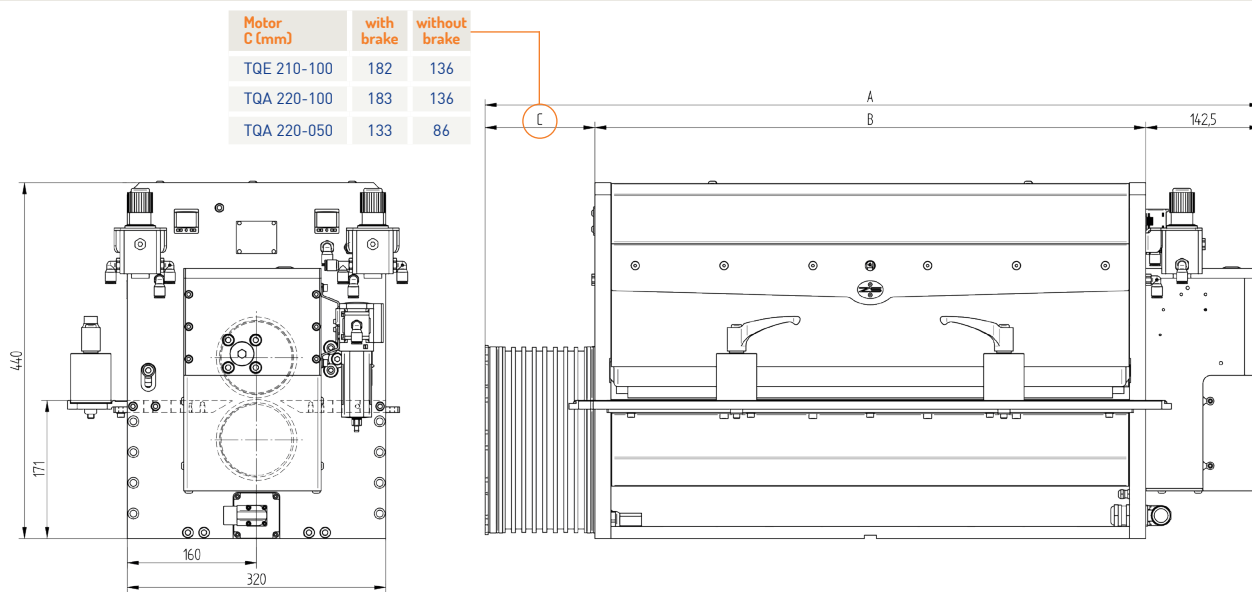


Performance curves (examples)*

Loop weight	Feed angle	Cooling
0 kg	180°	WC
0 kg	180°	AC
5 kg	180°	AC
5 kg	180°	WC
5 kg	240°	WC
20 kg	180°	AC
20 kg	120°	WC
50 kg	180°	WC

*Calculation basis: EV XF 480 TQ
 Motor / Control / Cooling:
 TQE 210-100/FD50,CX300/air
 TQE 210-100/FD75,CX470/water

TECHNICAL SPECIFICATIONS



MODEL	EV XF TQ	480	640	1000	1600
Feed troughput width (mm)		480	640	1000	1600
Upper roll width (mm)		440	600	960	1560
Lower roll width (mm)		482	642	1002	1602
Overall width A min. (mm)		750.5	910.5	1270.5	1870.5
Overall width A max. (mm)		847.5	1007.5	1367.5	1967.5
Base width B (mm)		522	682	1052	1652
Roll opening		8 mm			
Roll diameter		100 mm			
Position accuracy		+/- 0.02 mm			
Speed max.* (nominal)		380 m/min			
Traction max.* (air/water cooling)		2600 / 4800 N			
Cross section (recommended)		max. 2000 mm ²			

SWITZERLAND

Zehnder & Sommer AG
 CH-3400 Burgdorf
 info@zehndersommer.com
 Tel +41 31 800 00 00

GERMANY

Zehnder & Sommer GmbH
 DE-58452 Witten
 info@zehndersommer.de
 Tel +49 2302 981 60 30

zehndersommer.com
 ZSswiss.com

*Depending on motor, control and supply.
 Ask for a specific configuration and calculation.