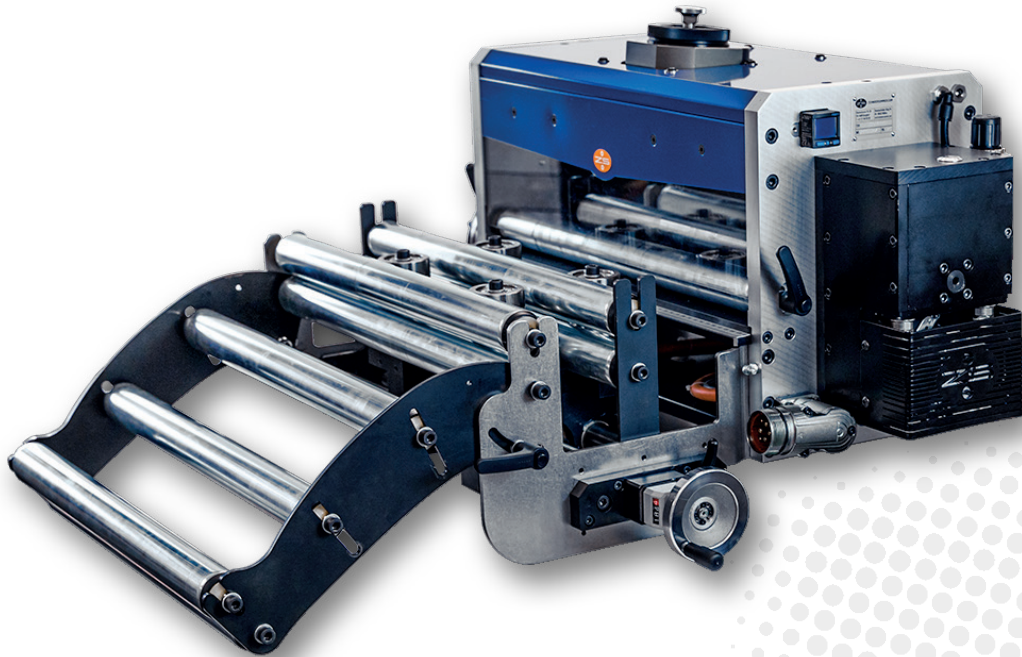


High Speed and Precision Torque-Servo Roll Feeding System

## PERFORMANCE EV XM TM

Models: EV XM 160 TM | EV XM 240 TM | EV XM 320 TM | EV XM 480 TM | EV XM 640 TM



### FAST

- Highly dynamic torque servo motor up to 400 m/min, 1500 N
- COLIBRI: Very fast pilot release system up to more than 1500 strokes/min.

### PRECISE

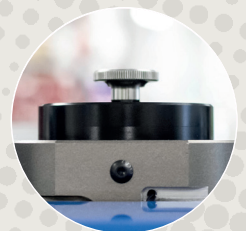
- Direct drive without gear for extremely accurate transmission of torque
- Synchronous drive of the rolls via torsion-free power coupling
- Precision mechanics and high-tech materials for highest accuracy

### VERSATILE

- Optional roll surfaces, adjustable segment rolls, profiles
- Powerful and versatile controls; double systems; push / pull
- Threading assistance (material insertion without operating the control)
- Pull-out inlet plate for practical maintenance and roll cleaning
- Rolls are easier to exchange; upper roll extractable via side plate
- Variable infeed roller cage with double rolls; central side adjustment

### SAFE

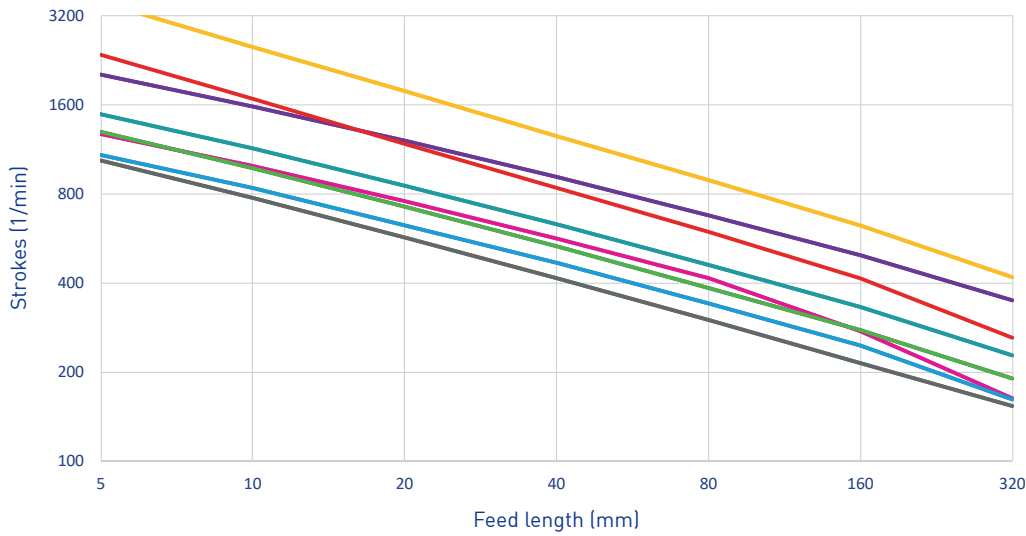
- Meets the highest safety standards including safe limited speed (SLS)
- Precision sensor on the opposite side of the motor
- Electric safety brake or safety material holder



# ROLL FEED PERFORMANCE EV XM TM



PERFORMANCE



Performance curves (examples)\*

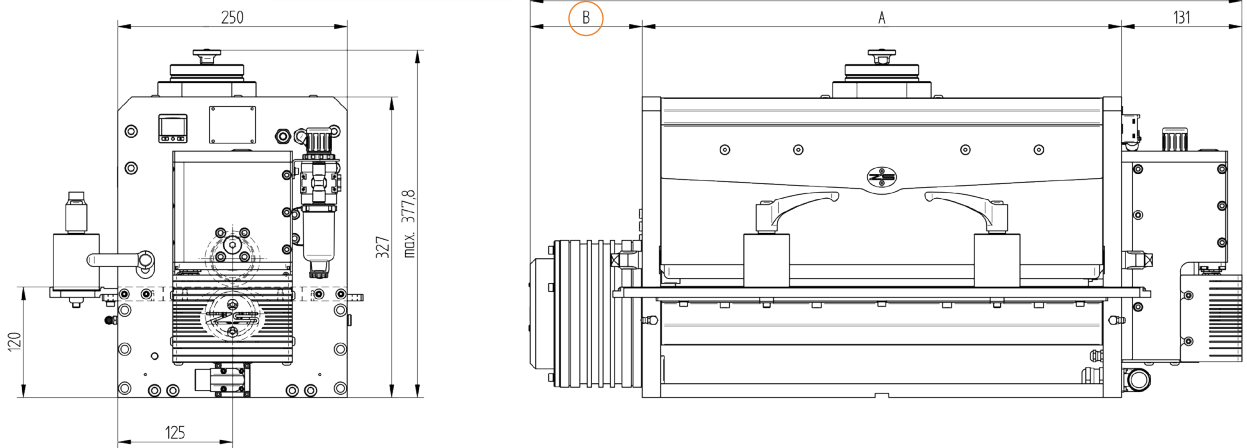
Loop weight / Feed angle / Motor / Cooling

- 0 kg / 180° / TE70 / WC
- 0 kg / 180° / TF50 / AC
- 2 kg / 120° / TE70 / AC
- 2 kg / 180° / TE70 / WC
- 2 kg / 120° / TF50 / AC
- 2 kg / 180° / TF50 / AC
- 10 kg / 180° / TE70 / AC
- 10 kg / 180° / TF50 / AC

\*Calculation basis: EV XM 160 TM  
Motor / Control  
TF50: TMF 140-050 / FD15,CX150  
TE70: TME 140-070 / FD75,CX470

TECHNICAL SPECIFICATIONS

Motor B (mm)	with brake	without brake
TMF 140-050	122	94
TME 140-070	139	111
TMA 175-36	107	70
TMA 175-72	143	106



MODEL	EV XM TM	160	240	320	480	640
Infeed guide width (mm)		160	240	320	480	640
Upper roll width (mm)		130	210	290	450	610
Lower roll width (mm)		162	242	322	482	642
Feed unit support width A (mm)		202	282	362	522	682
Total width C min. (mm)		403	483	563	723	883
Total width C max. (mm)		476	556	636	796	956
Roll opening		13 mm				
Roll diameter		60 mm				
Position accuracy		+/- 0.02 mm				
Nominal speed max.*		400 m/min				
Pilot release Colibri max.* (stroke/min.)		30°:1000 / 50°: >2000				
Traction max.*		390 - 1580 N				
Cross section (recommended)		max. 600 mm <sup>2</sup>				

## SWITZERLAND

Zehnder & Sommer AG  
CH-3400 Burgdorf  
info@zehndersommer.com  
Tel +41 31 800 00 00

## GERMANY

Zehnder & Sommer GmbH  
DE-58452 Witten  
info@zehndersommer.de  
Tel +49 2302 981 60 30

zehndersommer.com  
ZSswiss.com

\*Depending on motor, control and supply.  
Ask for a specific configuration and calculation.