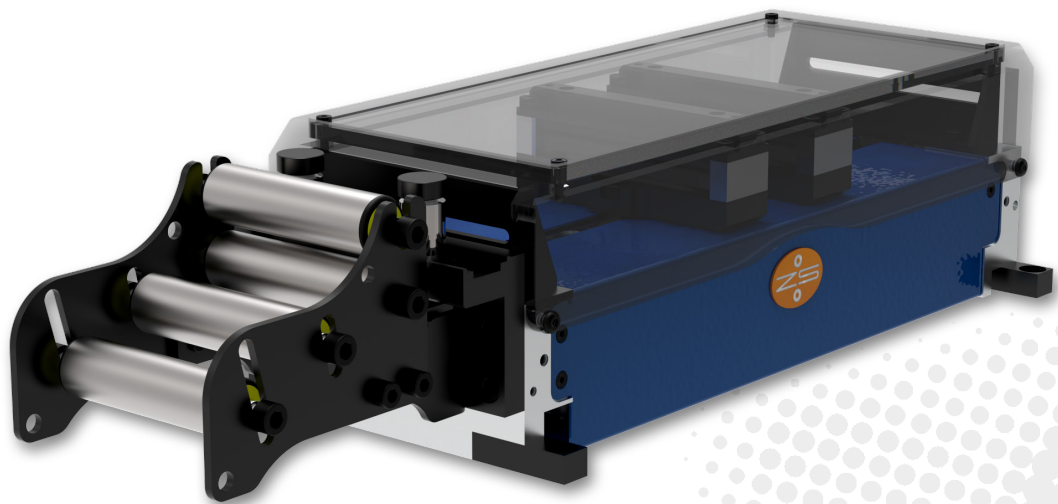


ELECTRICAL DOUBLE GRIPPER FEED EZ KT

Models: EZ KTD 080



ACCURATE

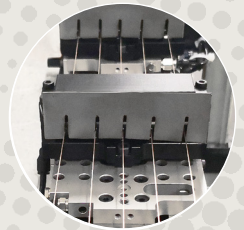
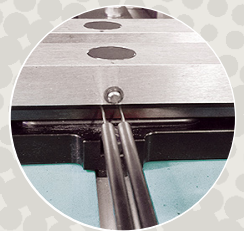
- Precision mechanics and high-tech materials for highest accuracy
- **Double** precision linear motor

VERSATILE INSTALLATION

- Compact horizontal design with minimal installation height
- Available in 3 unit lengths: Compact (C), Double (D), Extended (E)
- Separate cable connector box
- Variable infeeds: basket with double rolls, inlet plate, wire inlet

VERSATILE USE

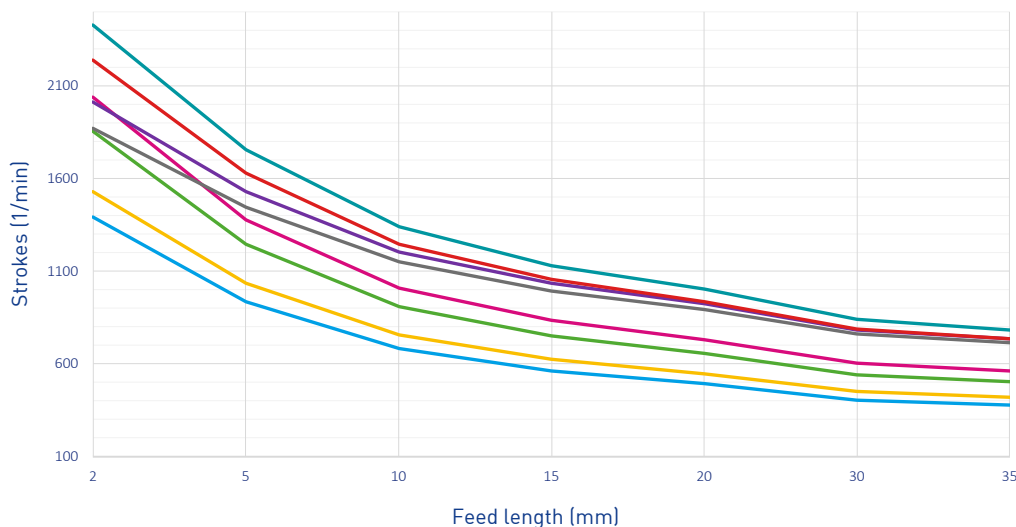
- Prepared for additional clamps, better wire guiding, considerable clamping force
- Various tailor made clamping, gripping and guiding options
- Good visibility into gripper chamber for easy threading
- Threading help button (material insertion without operating the control)
- Adaptable roll basket to fit material properties



ELECTRICAL DOUBLE GRIPPER FEED EZ KT



PERFORMANCE



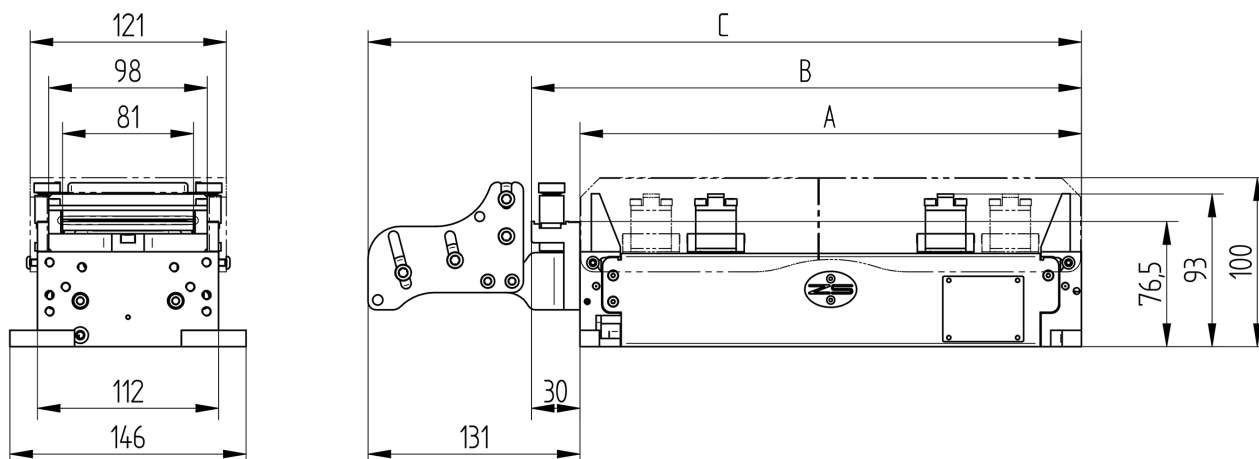
Performance curves (examples)*

Loop weight / Feed angle / Number of mov. clamps

0 kg / 90° / 2
0.5 kg / 90° / 2
0 kg / 120° / 2
0.5 kg / 120° / 4
0 kg / 180° / 2
0.5 kg / 180° / 4
0 kg / opt. / 2
0.5 kg / opt. / 4

*Calculation basis: EZ KTD 080
Optimum opening angle

TECHNICAL SPECIFICATIONS



MODEL	EZ KTD 080
Bandwidth max. (mm)	80
Feed length max. (mm)	2x48 / 96
A:Length basic unit (mm)	310
B:Length with inlet plate (mm)	340
C:Length with roll basket type D (mm)	441
Clamp opening	ca. 1 mm
Accuracy	+/- 0,01 mm
Nominal traction force (N)	60
Peak traction force, approx. (N)	100
Clamping force at 6 bar (movable gripper)	(2) 270 N / (4) 540 N
Cross section (recommended)	max. 50 mm ²

SWITZERLAND

Zehnder & Sommer AG
CH-3400 Burgdorf
info@zehndersommer.com
Tel +41 31 800 00 00

GERMANY

Zehnder & Sommer GmbH
DE-58452 Witten
info@zehndersommer.de
Tel +49 2302 981 60 30

zehndersommer.com
ZSswiss.com